



LST PENETRANT

The low surface tension feature of LST Penetrant combined with a powerful foaming action provides exceptional penetration, coverage, and improved displacement. LST is safe for use on most all surfaces and does not contain harmful chlorinated solvents.



PACKAGE SIZES

Net Contents	Part No.
11 wt.oz. / 312 g/ 382 mL aerosol	01916
1 gal. (3.78 L)	01928
5 gal. (18.93 L)	01905
55 gal. (208 L)	01955

APPLICATIONS

- Bearings
- Bolts
- Chains
- Conveyors
- Corroded fasteners
- Equipment disassembly
- Hinges
- Nuts
- Plumbing fixtures
- Pulleys
- Screws
- Shafts

FEATURES

- Specially formulated with low surface tension for fast penetrating action
- Displaces moisture
- Loosens rust and corrosion to free frozen parts
- Powerful foaming action provides complete surface coverage
- Flash point of 175°F (79°C)
- Compatible with most rubber and plastic surfaces
- Inverta Spray Valve
- Nonfood Compounds Program Listed Category Code: H2 Registration #059851 (aerosol); #059823 (bulk)

SPECIFICATIONS AND APPROVALS

Approved/Qualified to:

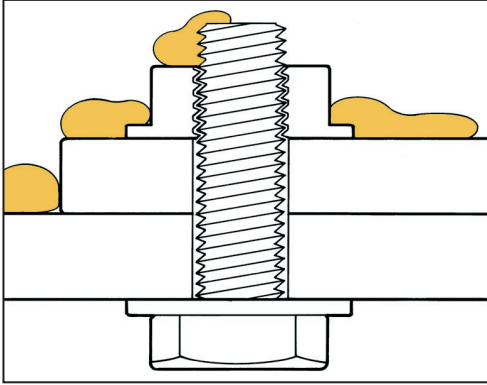
- A-A-50493 Class B Types I and II
- ASTM F-945
- City Public Service
- General Motors Co.
- Minntac - US Steel
- NSF® International
- Pratt & Whitney Canada CPMC 79138-1
- Tampa Electric Co.
- Timken Steel
- Tyson
- V V-P-216C Types I and II



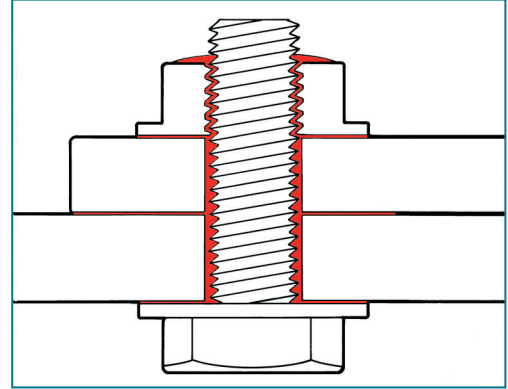
LST PENETRANT

What makes LST an excellent penetrant is its low surface tension. Surface tension is the measurement of a liquid's ability to "bead" or form droplets. The higher the surface tension the more likely a liquid is to bead-up on a surface, and not penetrate. LST has extra low surface tension that does not bead and instead spreads with a more consistent coating and penetrates even the tiniest cracks and crevices in a surface.

LIQUID WITH HIGH SURFACE TENSION



LST WITH LOW SURFACE TENSION



PROPERTIES

Appearance/physical state	Liquid	Flammable limits (estimated)	Upper: 7.0% Lower: 0.6%
Color	Clear	Auto-ignition temperature	Not established
Odor	Vanilla	VOC	Aerosol: 0% per U.S. State and Federal Consumer Product Regulations Bulk: 0% per U.S. State and Federal Consumer Product Regulations
Vapor pressure (H ₂ O = 1)	<0.1 mmHg @ 20°C	Evaporation rate	< 0.7 (BuAc = 1)
Vapor density (air = 1)	4.7	Viscosity	Not established
Boiling point	383°F (195°C)	Percent volatile	96 - 99%
Solubility (water)	< 0.1%	Surface tension	26.7 dynes/cm
Specific gravity	0.79 - 0.81 @ 20°C	Dielectric strength	32.8 kV
Flash point	175°F (79°C) TCC - dispensed liquid		

DIRECTIONS

Shake well before using. Spray on frozen parts. Use the attached extension tube for pinpoint application. Tap extremely rusted parts after spraying for deeper penetration. Use only in well ventilated areas. Avoid all sources of ignition (spark or flame).

STORAGE

Keep container in a cool area. Avoid all sources of ignition (spark or flame). Store between 40°F (5°C) and 120°F (49°C).

Store aerosols as Level 3 Aerosol (NFPA 30B). Store all materials in a dry, well-ventilated area. Avoid breathing vapors.

DISPOSAL INFORMATION

Waste must be disposed of in accordance with any and all applicable environmental control rules and/or regulations.

MATERIAL SAFETY DATA SHEETS AVAILABLE UPON REQUEST OR VISIT OUR WEB SITE : WWW.LPSLABS.COM

LPS® Laboratories • An Illinois Tool Works Company
4647 Hugh Howell Road • Tucker, GA 30084 • TEL: (800) 241-8334 or (770) 243-8800 • FAX: (800) 543-1563 or (770) 243-8899
Internet Web Site: www.lpslabs.com

©2013 LPS® Laboratories • LPS® is a registered trademark of Illinois Tool Works • Printed in U.S.A. • All Rights Reserved • Form #TDS_01916 • Rev.10/2013